

By Jacque Boultinghouse

Birthdays and anniversaries include: March 15, Linda Shuler, Levi Rogers; 17, Betty Barnett, Boyd Wilson, Dan Campbell; 18, Nick Rall; 19, Danielle Hickert, Tate Bruggeman; 20, Mitch Miller; 21, Alfred Albers.

At the March 8 Senior Citizens Lola Cook won high, Gene Rogers second, Cordie Guyer low, and Paulie Neff had the most Aces.

Others present were Betty James, Anna Albers, Cecelia Ottley, Carol Shaw, Irene Kruse, Gertrude Fleckenstein, Fansion Juenemann, Flerry Shea, Vesta Shea, Leone Porsch, Don Shaw, Elsie Wessel, Dorothy Lovin and Clara Schieferecke.

Mrs. Juenemann brought home-made donuts.

SCHOOL CALENDAR

Friday: Western Kansas Liberty League speech, Weskan, 10 a.m.; Saturday: High school speech, Ransom, 8 a.m.; Monday: High school speech, Oakley; school board meeting; Tuesday: Little 8 Scholars Bowl, Rexford, 4 p.m.

The library will be celebrating its 10th anniversary in June. In preparation of this celebration the library is in the process of some changes.

A large cabinet has been added and will house numerous old Selden newspapers, "The Selden times" and "The Selden Advocate."

These papers date back as early as 1889 and are available to the public for viewing but they will not be allowed to be taken from the library. John Geisinger of Selden Lumber Company made the cabinet at the request of the Library Board.

Midway News

By Mary Lou Olson

Congratulations to Erin Schmidt, who is among basketball players who were chosen to play in the All-Star Basketball Tournament to be held at Colby on Saturday. She is the daughter of Chris and Sherri Schmidt and is a senior at Atwood High School.

Kary and Jennifer Smith and Nolan of Menomonee, Wis., visited from Friday to Tuesday with his grandparents, Wesley and Eulaine Benda.

Additional Sunday dinner guests were Gerald Benda, and Mark and Barbara Olson, Sarah, Kurt and Mary Rachel.

Pastor Keith and Sandy Reuther and family joined his mother, Mrs. Gary Kennedy, of Ohio, for a few days skiing in the Colorado mountains.

Patti Benda spent the weekend with her parents, Mr. and Mrs. Eugene

Hadacek, in Beloit, to help her mother celebrate her birthday on Saturday.

Erin Schmidt is spending spring break visiting her sister and family, Dawnelle and Curtis Hein and Karli, in Tucson, Ariz.

Among those who visited Jerry Olson on Sunday, March 4, at Community Hospital in McCook were Bernie Fred, Evelyn Olson, Mr. and Mrs. Frank McEvoy, and Mr. and Mrs. Jack Gutchewsky and Tammy. He had undergone a second hip replacement surgery on the same hip that was replaced on Nov. 15, and has returned home. The McEvoy's also called on Theresa Solko, a resident of Willow Ridge Retirement Center in McCook.

The choir of the Herndon Covenant Church will practice at 5:45 p.m. Sunday.

THE OBERLIN HERALD

Events of Yesteryear

By Jody Betts

100 YEARS AGO — March 1901

Two farmers settled a little difference of opinion in Beardslay's feedstore Monday.

Mr. and Mr. Munger, who arrived in the city some 10 days ago, have concluded to stay. He has accepted a position with the Abstract Co. and Mrs. Munger has opened a store in the old Maddox building.

Married by Judge Norris at his office Wednesday, March 13, Mr. John F. Huff and Miss Emma E. Huff of Lyle.

A report is current that Oberlin will have a cigar factory in the near future.

The windmill at old Center was blown down Tuesday and A. M. Lytell's windmill was blown away by the storm Tuesday.

Frank VanVleet dropped in for a moment on his way home from Sherman County where he has been visiting a brother. Frank seems much taken with that country and says if he was younger he would move there and go into the cattle business.

75 YEARS AGO — March 1926

Many days like yesterday and the balls and bats will be brought into play.

Oberlin Masons attended the ceremony in Atwood Wednesday for the laying of the cornerstone of the new Masonic Temple to be built there. We made the trip over with Val Griffith in one of the Oakland cars of which he recently acquired from the agency.

Jack Riley has an exhibit from the Manual Training Department at DCHS in the window of W. T. Stevenson's drug store this week.

Included is a fine cedar chest made by Floyd Laidig which required nearly a full semester's work, two periods a day, and is a well finished piece of work. The total cost of materials was right at \$8.50 and the finished chest is the equal of a \$20 chest when bought at the furniture store.

Dresden: Mr. and Mrs. Fred Strohwig and daughter Betty spent Sunday at the B. S. Bowman home. Other dinner guests were Dr. and Mrs. Funk and Mary Funk.

Southwest News: George Groneweg is driving a new Buick six Sedan.

Jennings: The following families are under quarantine: Jack Bainter, L. C. Chenoweth, Ed. Frikens, Cliff Rogers, F. Shimmick, W. P. Noone, Mr. Cooks, Jesse Carter, Mr. Adtkins and George Tachas.

Allison Items: Master Kenneth Erickson and little Miss Elda Kincaid are in school again after a siege of scarlet fever.

Mr. and Mrs. Julius Kathka are the proud parents of twin boys born March 15. One weighed 7 and one-fourth pounds and the other 7 and three-fourths and they have not yet been named.

50 YEARS AGO — March 1951

A crowd of close to 1,100 was on hand Friday evening to see the finals of the Regional basketball tournament at the DCHS gym. Oberlin and Norton battled for the chance to go to the state tournament with Norton winning 48-35.

The close of this school year will see Jess Woodruff leaving the faculty of DCHS where he has coached

football and track for eight years and basketball for four years. Additional duties have included teaching manual arts and more recently assisting in the office as principal. Jess has also done a lot of work with his manual training classes that has greatly improved the school and its athletic facilities.

Former DCHS grid and court star Jack Hague has been hired as head football coach for the coming year. He will also assist in track and teach industrial arts. He and his wife, the former Miss Dorothy Everist, will move to Oberlin from Lenora when the school year ends.

Members of the Sacred Heart Church, under the direction of George Thummel, have been at work for the past two months constructing a full basement under the old church and extending the north wall 20 feet. Rev. Emil E. Sinner, pastor of the church, was instigator of the plans to rebuild since the church was too small to accommodate the parish comfortably.

Dianne Nemeth, Frances Henningson, Billie McClure and Joyce Clear will accompany Mr. and Mrs. V. R. May to Salina Saturday and on Sunday they will attend the Palm Sunday rendition of Handel's "Messiah."

Mr. and Mrs. Milton Nitsch have sold their home at 309 N. Griffith to Mr. and Mrs. Ivan Cochran. They plan to start construction of a new residence one block east of their present location.

The marriage of Miss Betty Sejkora, daughter of Mr. and Mrs. Thos. Sejkora, to Mr. Frank E. Bouts, son of Mr. and Mrs. A. M.

Bouts of Denver, took place March 3 at the Methodist Church in Jennings.

25 YEARS AGO — March 1976

A bill to abolish Kansas ports of entry was being debated in the State Senate Affairs Committee this week. If the bill passes, duties now handled by port inspectors will be turned over to the Kansas State Highway Patrol for enforcement.

Upcoming Western Plains Arts Council concerts include Larry Walz, pianist, who was born and raised in Cheyenne County and who studied at Julliard School of Music and the Air Force String Orchestra, both of which will be in Colby, and Max Morath, pianist-singer-comedian, to be held at the DCHS auditorium.

The capital outlay resolution which was published in The Oberlin Herald in the issues of Feb. 12 and Feb. 19, was the subject of considerable discussion at the USD 294 meeting Monday evening.

The engagement and approaching marriage of Dana Goltl and Marlin Marintzer is announced by their parents, Mr. and Mrs. Wayne Goltl, Oberlin and Mrs. Josephine Marintzer, Herndon. The wedding will be May 8 at the Sacred Heart Catholic Church in Oberlin.

New Arrivals: Mr. and Mrs. Raymond Rome, a daughter, Maleia Suzanne, March 5; Mr. and Mrs. David Anderson, a son, Matthew David, March 9, both at Decatur County Hospital; Mr. and Mrs. Donald "Butch" Stanley, a daughter, Kellie Dawn, Feb. 28 at Norton County Hospital.

Mount Pleasant News

By Dianne Bremer

Don and Ann Mines went to McPherson on March 2 to spend the weekend with their son and family, Joe and Chris Mines, Cori and Jared. They helped Cori celebrate her sixth birthday at her party on Sunday. They returned home on Monday.

Get well wishes are extended to Gerald Olson, who is recuperating at home from hip replacement surgery at McCook; also to LuVerne May who is recuperating at home after being released from the hospital in Oberlin.

Stanley and Vernadean Moore, Conroe, Texas, arrived Tuesday to spend a few days with her mother,

Hildegard Euhus, and to visit family and friends. Stan Moore, his brothers Francis, Loyd, Melvin and Rex, and a friend, Neal McCoy, of Arapahoe, left for the Big 12 basketball tournament in Kansas City on Wednesday, returning to Oberlin on Sunday.

Ralph Unger spent Thursday and Friday in Topeka where he attended a board meeting of the Kansas Workers Risk Cooperative for Counties, a workmen's compensation pool for Kansas Counties.

Rhonda May and husband, Dan Nedland, Cameron, Hunter and Elizabeth of Plano, Texas, and Mr. and Mrs. Walter May spent the past week

in Breckenridge, Colo., skiing and sightseeing.

Greta Wendelin participated in the all school play "The Pink Panther Strikes Again" which was presented Friday and Saturday at Decatur Community High School.

Roland and Pam May, Hannah and Zachary, hosted a birthday dinner at their home Saturday evening for his mother, Betty May.

Others present were Walter May, Dr. Richard and Delayne May, Brianna, Danica and Nolan, Matt Wilson, Robert and Sally May and Cole, Carie Nichols and Dustin, and Rhonda May and husband, Dan Nedland,

Cameron, Hunter and Elizabeth, Plano, Texas. Roger and Susan May and Ryan were out-of-town so were unable to attend.

John and Dianne Bremer drove to Hays on Saturday where Mrs. Bremer passed her Casualty, Property, and Allied Lines pre-licensing insurance exam. Jessica spent the day with her grandparents, Arthur and Alice May.

Kristen Bremer and Ladd Wendelin returned to Concordia University, Seward, Neb., on Sunday, following spring break.

Greta Wendelin accompanied them and stayed with friends and visited the campus for a few days.

Cedar Living Center

Sympathy is extended to the family of Conrad Zodrow who died at the Center last week.

Max Fringer is a new resident.

Ray Bennett has returned to his home after a short stay at the Center.

Henrietta VanVleet hosted the coffee club on Saturday morning. The Sunday worship service was given by Nolan Pierce of the Oberlin United Church.

Myrna Jones, Ethel Ellis and Carol Will assisted with the music on Monday afternoon.

Fern Moore provided the reading program on Tuesday morning. Lois Steiner won both the first bingo and the blackout game on Tuesday.

Frank Bouts of Selden and Donna Lincoln of Oberlin gave a program

on Wednesday afternoon. They showed crafts made by the late Jean Bouts, a former resident.

Art and Loretta Nelson assisted with pinochle on Thursday. Cheri Hutchison helped with baking on Friday.

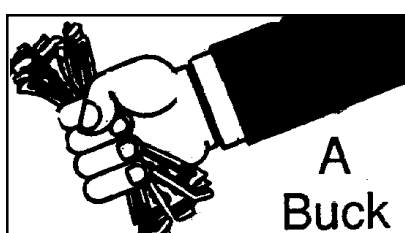
Recent visitors: Joe and Janice Kruse, Frank Bouts, Tom Stacey, Selden; Tonie Owens, Suwanne, Ga.; Tamie Owen, Kansas City, Mo.; Judy and Gary Vaughn, Westminster, Colo.; Rosa Brock, Claudine Bennett, Doyle and Kay Brown, Jennings; Gavin and Michelle Rush, Chad Addleman, Olathe; Kurt, Skyler, Ty and Ashley Bennett, McCook; Jean and Elton Gillespie, Clayton; Ruth A. Ingold, Lenexa; Marie Miller, Larry Miller, Dresden; Doris and Jim

Gilbert, Gem; Jerry Temple, Deb Malone, Norcatour; Ann Martin, Herndon; Betty Miller, Leoville; Janis Jensen and Marni McMullan, Parker, Colo.; Delphine Spencer, Culbertson; Steve Martin, McCook; Iris Benton, Vienna, Va.; Allison Renk, Plainville; Tom Ferriter, Longmont, Colo.; Colleen Fikan, Atwood;

Elvin Beneda, Orlin Beneda, Lelia Benton, Henrietta VanVleet, Karen Bennett, Marie Jean Vavroch, Duane Jording, Fern Jording, George Brown, Grace Hoppas, Alice Shirley, Ila Ray, Eula Juenemann, Sandy, Fred and Jonathan Counter.

Laurene Bryan, Eldon and Mildred Black, Ray Corcoran, Bernard Corcoran, Paul Corcoran, Frances Nothdurft, Marlin Marintzer, Leonard

and Dorothy Cochran, Rachael Gallatin, Elaine Bryan, Jay Ketterl, Kevin Ketterl, Anita Montgomery, Bob Keenan, Cecil Hess, Nora Bell Manning, Judy Ostmeyer, Kay Marcuson, Oberlin.



A Buck

In The Hand Is Worth More Than A Garage Full Of Junk. Call The Oberlin Herald Classifieds

785-475-2206

Herndon News

By Carrol Ginther

Senior Citizens held a business meeting on March 7 with 10 members present. Maxine Reuber read the poem, "Smile" and Edie Pettera read the poem, "Volunteers." The next pot-luck will be March 21 with kitchen duty by Lorraine Fleischacker and Mabel Zimmerman. Bingo was played with Margaret Riener and Lorraine Fleichacker having blackout. Ann Martin won the door prize. The next business meeting will be April 4 with Helen Marintzer as hostess.

Ann Martin and Julie Gallentine of Selden had lunch with Lucy Evans in McCook on March 3.

Recent visitors of Frank and Wynemah Cox were Roseann, Shakia Rose and Sohn Michael Domsch.

Recent visitors of Alvina Kogel were Clemens Kogel, Culbertson; Dorothy Reinert, Atwood; Cindy Shriwise, Leah and Seth, Jetmore, and Jean Kogel.

Visiting at the Rosie Solko home were Tim Solko, Sharon Ecker and Tom Solko.

Jan Sattler visited Dan and Karen Sattler, Winston, Margo and Bennett in Scott City last weekend. She at-

tended a grandparents quilt tea party on Friday with Margo. En route home, Mrs. Sattler visited Rob Sattler in Oakley.

Angie Cash, a senior at Herndon High School, recently accepted a Kansas State University Foundation

Scholarship from President Jon Wefald during the annual Scholarship Day. Students and their parents were guests of the university at a banquet. She is the daughter of John and Tammy Cash.



Dan Stevens NBC-HIS

FREE HEARING TESTS in your home or in my office BY APPOINTMENT ONLY Call 1-800-371-4836

Free Cleaning of any hearing aid.

Benefits of hearing aids vary by type and degree of hearing loss, noise environment, accuracy of hearing evaluation and proper fit!

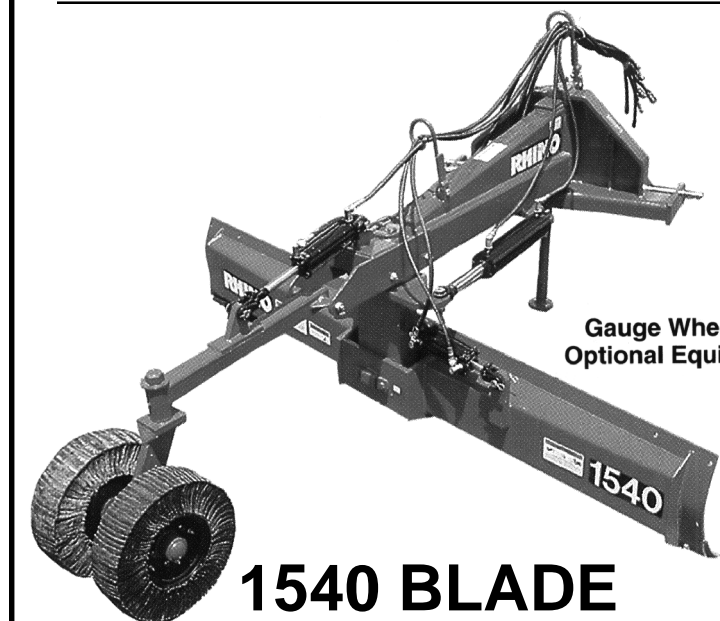


1218 East B. Street McCook, NE 69001 (308) 345-4836 1-800-371-4836 Office Hours: 9 a.m. to 5 p.m. Monday thru Friday



950 BLADE
(2WD, 125 PTO HP TRACTORS MAX.)

Available in 7-ft., 8-ft., and 9-ft. widths. Is available with either hydraulic or manual adjustments.



Gauge Wheels are Optional Equipment

1540 BLADE
(2WD, 190 PTO HP TRACTORS MAX.)

Available in 8-ft. and 10-ft. widths. Is available with either hydraulic or manual adjustments.

McCOOK FARM EQUIPMENT

708 EAST "B" — McCOOK 308-345-4480

If you have any of these certificates...



...remember - they expire on March 31st!!